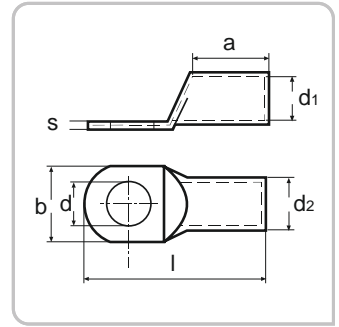


Ekko Type SKP Compression Type Cable Lugs (The lengths are same as the STD cable lugs)



Features

- Tempering of the cable lugs during the production process provides ease of use of the Şafak Cable Lugs and more practical usage
 - As the copper is been reheated at 700 degrees, it does not get broken after the crimping process.
 - All of the Şafak Cable Lugs and Butt-connectors are being produced by tempering
- ⚠ You must crimp Standard Type Cable Lugs with Standard Type Dies.

Material : EN 13600 standard copper
Surface : Tin Plated

Product Code	Cross-Section mm ²	Bolt Ø	Dimensions (mm)							Package Amount	Package Weight (~kg)
			d	d1	d2	l	a	b	s		
SKP-E-010	10 mm²	M5	5,3	4,5	6,0	27	9	8,6	1,5	800 Pcs	2,10 kg.
SKP-E-016	16 mm²	M6	6,4	5,5	7,0	30	11	10,5	1,5	500 Pcs	1,70 kg.
SKP-E-025	25 mm²	M8	8,3	7,0	9,0	38,5	12	13	2,0	300 Pcs	2,20 kg.
SKP-E-035	35 mm²	M8	8,3	8,5	10,5	43,5	14	15,5	2,0	200 Pcs	2,00 kg.
SKP-E-050	50 mm²	M10	10,3	10,0	12,0	51,5	17	17,9	2,0	150 Pcs	2,20 kg.
SKP-E-070	70 mm²	M10	10,3	11,5	14,0	55,5	18	20,7	2,5	100 Pcs	2,30 kg.
SKP-E-095	95 mm²	M10	10,3	13,5	16,0	58,5	21	23,5	2,5	80 Pcs	2,20 kg.
SKP-E-120	120 mm²	M12	12,8	15,5	18,0	71	25	26,7	2,5	50 Pcs	1,90 kg.
SKP-E-150	150 mm²	M12	12,8	16,5	20,0	76	26	29,2	3,5	30 Pcs	2,10 kg.
SKP-E-185	185 mm²	M16	16,5	18,5	22,0	82	29	32,3	3,5	30 Pcs	2,15 kg.
SKP-E-240	240 mm²	M16	16,5	21,5	25,5	91	33	37,6	4,0	25 Pcs	2,70 kg.

- The cable lugs for which the cross sections are written with bold letters are standard production. Please ask the stock quantity for the other cross sections.
- Our goods are Manufactured of electrolytic copper(E-Cu), they are full tempered, welded and min. 3 micron tin plated.
- Our company reserves the right of changing the dimension of the products without any prior notification.